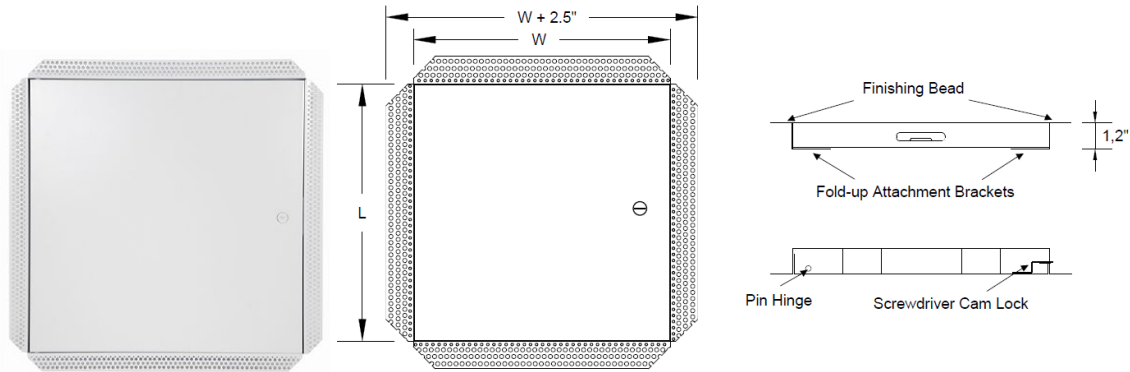




BASIC ACCESS DOORS S-BEAD SERIES - General Purpose Access Door with Drywall Bead



Rough-in opening: 6mm (1/4") on each side of door

SKU	Nominal Size	Door Opening Size		Number of locks	Weight per unit (lbs)
		W Width	L Length		
S-BEAD 12-12	12x12	11.64" (296 mm)	11.64" (296 mm)	1	2.86
S- BEAD 16-16	16x16	15.64" (397 mm)	15.64" (397 mm)	1	4.39
S- BEAD 18-18	18x18	17.64" (448 mm)	17.64" (448 mm)	1	5.31
S- BEAD 24-24	24x24	23.64" (599 mm)	23.64" (599 mm)	1	8.41

- Application** For installation on any type of gypsum drywall
Wall or ceiling installation
- Description** White powder -coated finish- Paintable
Drywall Bead
Easy installation
- Specifications** Cold rolled steel
Concealed pin hinges
Screwdriver cam latch

		Quantity	Width (W)	Length (L)	Comments/ Special Instructions
Client:					
Project Name:					
Location:					
Date:					
Approved By (please print):		Approved by (Signature):			